



Speed
Max 140 m²/hr

FD-1904

Technical Specifications

Print Speed	Draft Mode 140 m ² /hr	Production Mode 80 m ² /hr	Quality Mode 50 m ² /hr	High Quality Mode 25 m ² /hr
Print Resolution	600 x 300dpi (1 Pass)	600 x 600dpi (2 Pass)	600 x 900dpi (3 Pass)	900 x 1,200dpi (4 Pass)
Max Print Width	1,850 mm			
Max Media Width	1,900 mm			
Print Mode	Bi-Direction / Uni-Direction, Normal / Interleave			
Printhead	4 Kyocera Heads (2colors in 1 head)			
Color	8 Colors - Cyan, Magenta, Yellow, Black, Blue, Red, Orange, Gray			
Ink	Acid, Reactive, Disperse			
Interface	TCP / IP			
Dimension	Uncrated : 4,420mm(L) x 2,080mm(W) x 1,650mm(H) Crated : 5,800mm(L) x 1,660mm(W) x 2,100mm(H)			
Weight	Uncrated : 1,770 Kg Crated : 2,520 Kg			
Neumatics	Min. 5 kgf/cm ²			
Environmental Range	Temperature : 20~30 °C Humidity : 45~60% If environmental range is not within the recommended value, it may cause machine failure or make poor printing quality			
Electricity Requirements	Body : 220~240V VAC Single Phase, 50/60 Hz / 10A Heater : 220~240V VAC Single Phase, 50/60 Hz / 40A			

× All specifications are subject to change without notice.

F210

DGI Original Ink

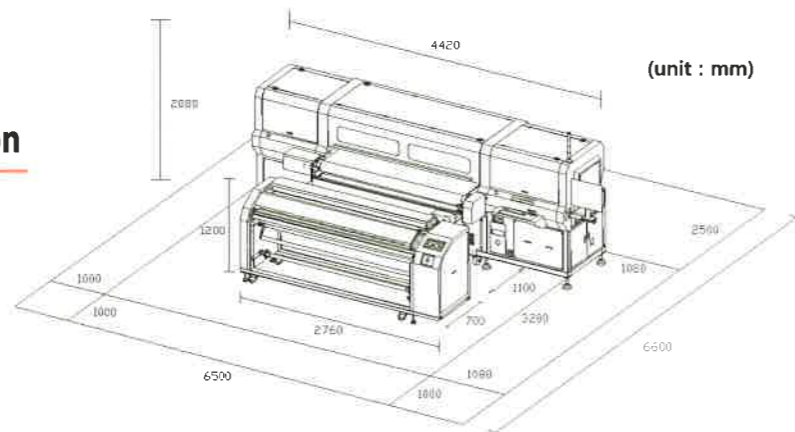


Cyan, Magenta, Yellow, Black, Blue, Red, Orange, Gray

Ink Type	Cellulosic		Protein		Synthetic		
	Cotton	Linnen/Ramie	Silk	Wool	Polyester	Nylon	Rayon
Reactive	●	●	●	●			●
Dispersed					●		
Acid			●	●		●	

*Package : 4 Kg

Dimension for Installation



Application



1.9m Wide Direct Textile Printer
| **FABRIJET Series**

FD-1904

Print Width
1.9m

Resolution
Max
1,200 dpi

Print Head
8 color
4 head



DGI
DIGITAL GRAPHICS INCORPORATION
KAB KIC ISO 9001:14001 Certified
52, Cheongdam-Ro, Yangju-si, Gyeonggi-do, Korea, 482-020
TEL : +82-31-820-8900 A/S : +82-31-820-8880
FAX : +82-31-820-8990 E-MAIL : sales@dgi-net.com
www.dgi-net.com

Creative Technology, Reliability and Support, the Future by DGI

FABRIJET Series

FD-1904

- Speed up!
- Powerful drying system
- Ultimate solution for high quality textile production
- A variety of convenient user friendly functions
- Low ink consumption, low production cost



TECH 1

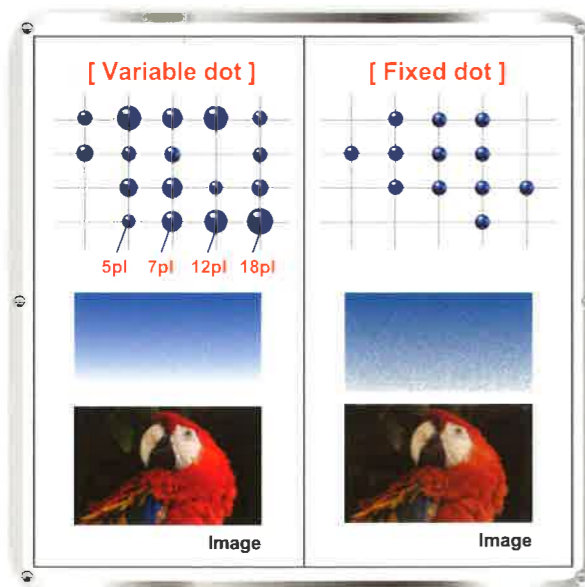
Kyocera 2,656 Nozzle Print Head

- ▷ 4 Kyocera 2,656 nozzles (300dpi) Heads (2colors in 1 head)
- ▷ The state of the art head in the market guarantees high speed and high quality digital textile printing

TECH 2

Variable Dot Technology

- ▷ Four different dot sizes guarantee more smooth and brilliant image quality (5pl, 7pl, 12pl, 18pl)



Speed

Max. 140~
25m²/hr



Resolution

1,200dpi ~
300dpi



Print Width

1,850 mm



Print Color

8 color



TECH 6

Detachable Drying System

- ▷ Strong dry capability to support high speed printing
- ▷ Powerful but compact design



TECH 5

Air Pressured Take-Up Roll Bar

- ▷ Loading of various kinds of fabric available
- ▷ More secured and accurate feeding guaranteed



TECH 3

Wrinkle Detecting Sensor

- ▷ Printing will stop when sensor detects any wrinkle of fabric before printing, and give alarm to the operator
- ▷ Safety feature for operator unattended printing job



TECH 4

Belt Cleaning System & Detecting Sensor

- ▷ Water spray type belt cleaning system to clean the belt after printing
- ▷ Sensor detects when fabric is about to be rolled into cleaning tank
- ▷ Then machine stops operating and gives alarm to the operator