



FG-3206

Technical Specifications

Print Speed	Draft Mode 125 m ² /hr	Production Mode 72 m ² /hr	Quality Mode 46 m ² /hr
Print Resolution	540 x 360dpi (1 Pass)	540 x 720dpi (2 Pass)	540 x 1,080dpi (3 Pass)
Max Print Width	3,200 mm		
Max Media Width	3,250 mm		
Print Mode	Bi-Direction / Uni-Direction , Normal / Interleave		
Printhead	Konica Minolta 1024i water-based print head (6 heads)		
Color	6 Color - Cyan, Magenta, Yellow, Black, Light Cyan, Light Magenta		
Ink	DGI original water based F300 dye sublimation ink		
Interface	TCP / IP		
Dimension	Uncrated : 5,700mm(L) x 1,460mm(W) x 1,650mm(H)		Crated : 5,800mm(L) x 1,660mm(W) x 2,100mm(H)
Weight	Uncrated : 2,000 Kg		Crated : 2,750 Kg
Environmental Range	Temperature : 20~30 °C Humidity : 45~60% Environment condition may affect on final printing quality.		
Electricity Requirements	220V (50/60hz , AC) / Machine : 15A, Heater : 15A, Total : 6.60Kw		

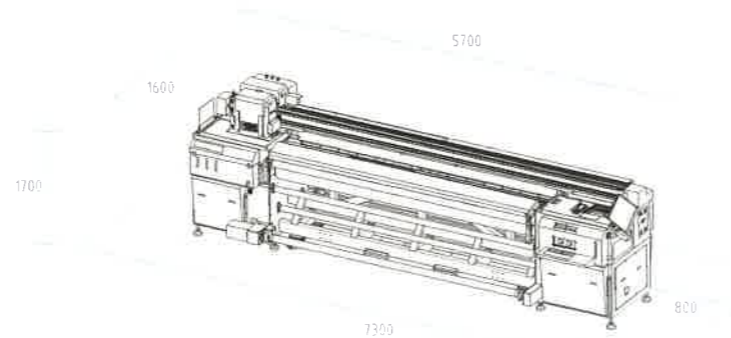
※ All specifications are subject to change without notice.

F300

DGI Original Ink



Dimension for Installation (unit : mm)



Soft Signage & Home Textile Printer | FABRIJET Grand Series

FG-3206

Speed
Max 125 m²/hr

Print Width
3.2 m

Resolution
Max
1,080 dpi

Print Head
6 color
6 head



Applications

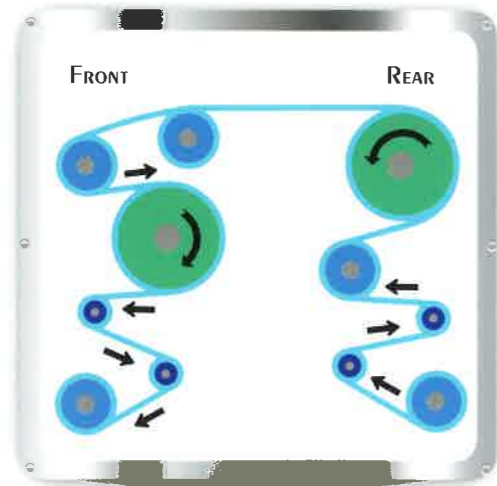


52, Cheongdam-Ro, Yangju-si, Gyeonggi-do, Korea, 482-020
 TEL : +82-31-820-8900 A/S : +82-31-820-8880
 FAX : +82-31-820-8990 E-MAIL : sales@dgi-net.com
www.dgi-net.com
www.facebook.com/dgikorea

Creative Technology, Reliability and Support, the Future by DGI

FABRIJET Grand Series

FG-3206



TECH 1

Roll to Roll Feeding System

- ▷ 2 synchronized motors guarantee accurate and stable fabric feeding.
- ▷ Even stretchable fabrics can be used without twist or wrinkles.



Speed
Max. 125~
46m²/hr



Resolution
1,080dpi~
360dpi



Print Width
3,200 mm



Print Color
6 color



TECH 5

DGI Proprietary User Interface

- ▷ DGI developed their own user friendly interface for easier and more convenient operation.
- ▷ User can check status of printing and machine at all times.



TECH 2

Automatic Carriage Height Adjustment

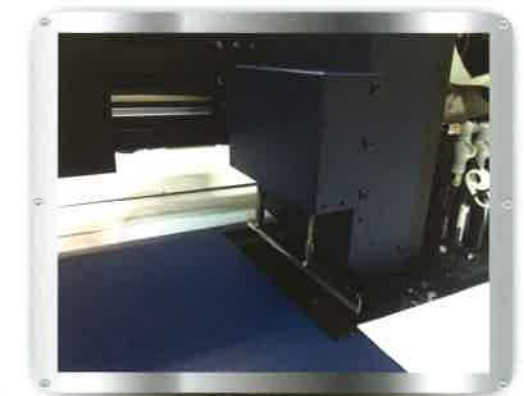
- ▷ Carriage height and print gap can be adjusted just by clicking numbers.
- ▷ Adjustable from 3.0~15.0mm depending on the thickness of fabric.



TECH 3

Air Pressured Take-up Roll Bar (Front & Back)

- ▷ Air pressured take up bars guarantee, more secured and tight media feeding.



TECH 4

Wing Sensor (Safety Sensor)

- ▷ Wing sensor protects the carriage from smashing the fabric.
- ▷ Carriage stops moving when sensors touch any object while printing.